

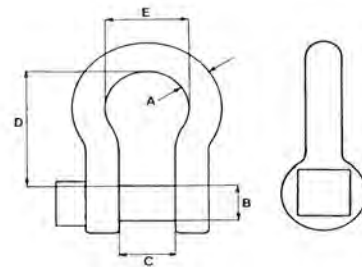
### Shackles Selfcoloured

Bow and pin equal thickness

Square head pin

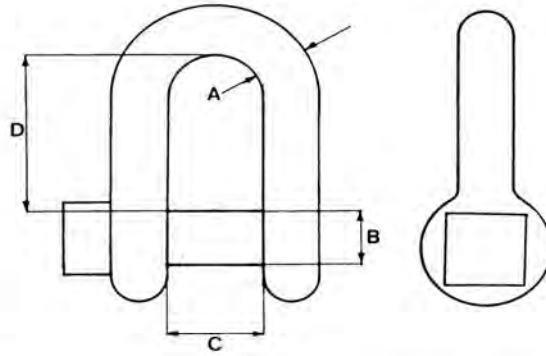
D Type

Vare nr. Part no. Parte no.	Str. Size Tamaño	SWL 5:1	A	B	C	D	Vægt Weight Peso	Sække à Sacks of Sacos de
			mm	mm	mm	mm		
F 06 DS	1/4"	0,1	6	6	12	24	3,5	1000
F 08 DS	5/16"	0,2	8	8	16	32	7,0	500
F 10 DS	3/8"	0,3	10	10	20	40	13,5	300
F 11 DS	7/16"	0,4	11	11	22	44	17,5	200
F 12 DS	1/2"	0,5	12	12	25	48	25,0	150
F 14 DS	9/16"	0,6	14	14	28	54	38,0	100
F 16 DS	5/8"	0,8	16	16	32	60	55,0	70
F 19 DS	3/4"	1,1	19	19	38	74	92,0	40
F 22 DS	7/8"	1,5	22	22	44	85	138,0	30
F 25 DS	1"	2,0	25	25	51	97	225,0	20
F 28 DS	1 1/8"	2,6	28	28	56	107	316,0	10
F 32 DS	1 1/4"	3,2	32	32	64	122	470,0	10
F 38 DS	1 1/2"	4,5	38	38	76	146	700,0	6



### Bow Type

Vare nr. Part no. Parte no.	Str. Size Tamaño	SWL 5:1	A	B	C	D	E	Vægt Weight Peso	Sække à Sacks of Sacos de
			mm	mm	mm	mm	mm		
F 08 HS	5/16"	0,2	8	8	16	33	24	7,0	500
F 10 HS	3/8"	0,3	10	10	20	42	30	14,0	300
F 11 HS	7/16"	0,4	11	11	22	46	35	19,0	200
F 12 HS	1/2"	0,5	12	12	25	52	39	26,0	150
F 14 HS	9/16"	0,6	14	14	28	58	46	40,0	100
F 16 HS	5/8"	0,8	16	16	32	67	48	55,0	70
F 19 HS	3/4"	1,1	19	19	38	80	57	110,0	40
F 22 HS	7/8"	1,5	22	22	44	92	66	150,0	30
F 25 HS	1"	2,0	25	25	51	107	75	225,0	20
F 28 HS	1 1/8"	2,6	28	28	56	117	84	330,0	10
F 32 HS	1 1/4"	3,2	32	32	64	134	96	470,0	10
F 38 HS	1 1/2"	4,5	38	38	76	114	114	798,0	6



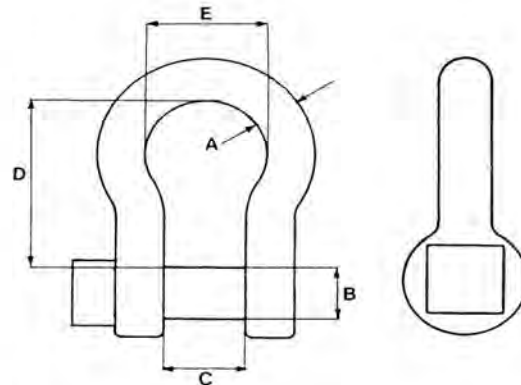
**Shackles selfcoloured**

Oversized pin

Square head pin

D Type

Vare nr. Part no. Parte no.	Str. Size Tamaño	SWL 5:1	A	B	C	D	Vægt Weight Peso	Sække à Sacks of Sacos de
		Ton	mm	mm	mm	mm	kg/100	
FK 06 DS	1/4"	0,1	6	8	13	24	3,5	1000
FK 08 DS	5/16"	0,2	8	10	16	31	7,0	500
FK 10 DS	3/8"	0,3	10	13	19	37	13,0	300
FK 13 DS	1/2"	0,5	13	16	26	50	30,0	150
FK 16 DS	5/8"	0,8	16	19	32	64	60,0	70
FK 19 DS	3/4"	1,1	19	22	37	74	100,0	40
FK 22 DS	7/8"	1,5	22	25	39	82	150,0	30
FK 25 DS	1"	2,0	25	28	43	85	210,0	20
FK 28 DS	1 1/8"	2,6	28	32	49	105	310,0	10
FK 32 DS	1 1/4"	3,2	32	36	58	115	440,0	10
FK 38 DS	1 1/2"	4,5	38	42	63	122	720,0	6



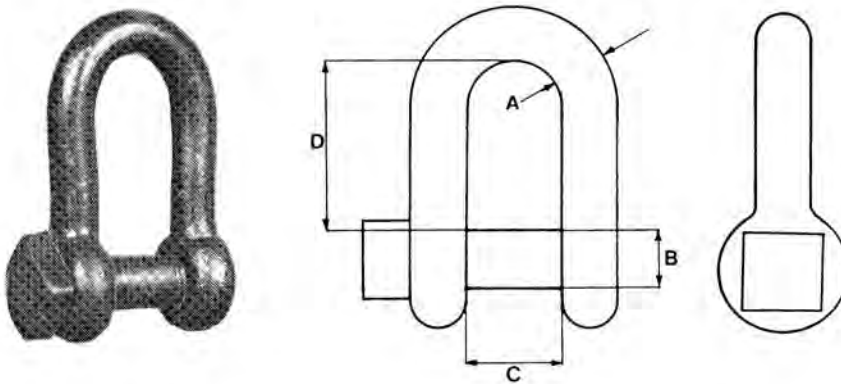
**Bow Type**

Vare nr. Part no. Parte no.	Str. Size Tamaño	SWL 5:1	A	B	C	D	E	Vægt Weight Peso	Sække à Sacks of Sacos de
		Ton	mm	mm	mm	mm	mm	kg/100	
FK 08 HS	5/16"	0,2	8	10	16	32	24	7,0	500
FK 10 HS	3/8"	0,3	10	13	18	41	33	14,0	300
FK 13 HS	1/2"	0,5	13	16	24	50	38	31,0	150
FK 16 HS	5/8"	0,8	16	19	32	70	55	65,0	70
FK 19 HS	3/4"	1,1	19	22	37	77	63	115,0	40
FK 22 HS	7/8"	1,5	22	25	43	97	72	150,0	30
FK 25 HS	1"	2,0	25	28	50	100	80	230,0	20
FK 28 HS	1 1/8"	2,6	28	32	60	117	93	350,0	10
FK 32 HS	1 1/4"	3,2	32	36	65	130	102	490,0	10
FK 38 HS	1 1/2"	4,5	38	42	77	150	126	790,0	6

## Steel Shackles

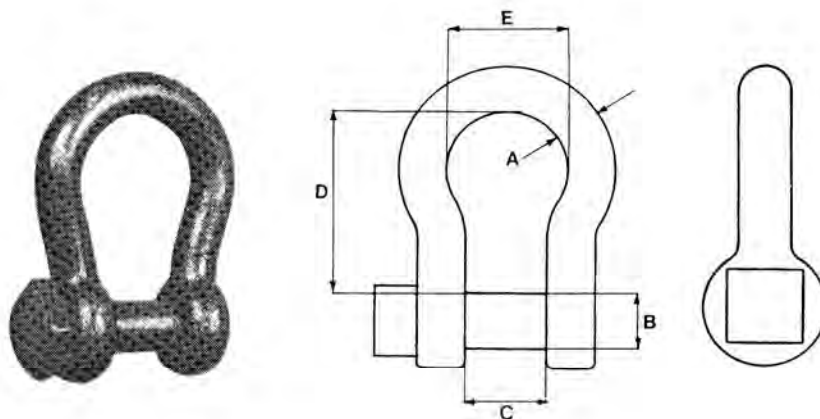
Blue

D Type



Vare nr. Part no. Parte no.	Str. Size Tamaño	SWL 5:1	A	B	C	D	Vægt Weight Peso	Sække à Sacks of Sacos de
		Ton	mm	mm	mm	mm	kg/100	
FK 10 DB	3/8"	1,0	10	12	18	43	15,0	250
FK 13 DB	1/2"	1,5	12	16	27	56	30,0	250
FK 16 DB	5/8"	2,5	16	19	33	67	60,0	80
FK 19 DB	3/4"	3,0	19	22	39	80	105,0	40
FK 22 DB	7/8"	4,0	22	25	45	80	145,0	30
FK 25 DB	1"	5,0	25	28	48	92	210,0	20

## Bow Type

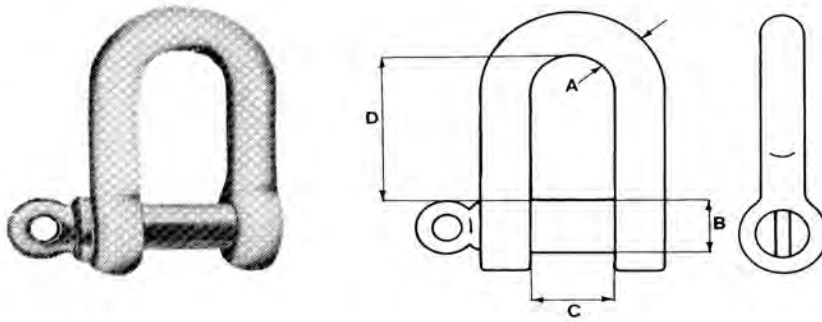


Vare nr. Part no. Parte no.	Str. Size Tamaño	SWL 5:1	A	B	C	D	E	Vægt Weight Peso	Sække à Sacks of Sacos de
		Ton	mm	mm	mm	mm	mm	kg/100	
FK 13 HB	1/2"	1,5	12	16	27	61	44	32,0	200
FK 16 HB	5/8"	2,5	16	19	33	70	54	70,0	80
FK 19 HB	3/4"	3,0	19	22	38	84	63	120,0	40
FK 22 HB	7/8"	4,0	22	25	44	90	70	165,0	30
FK 25 HB	1"	5,0	25	28	48	105	82	240,0	20

## Shackles, galvanized

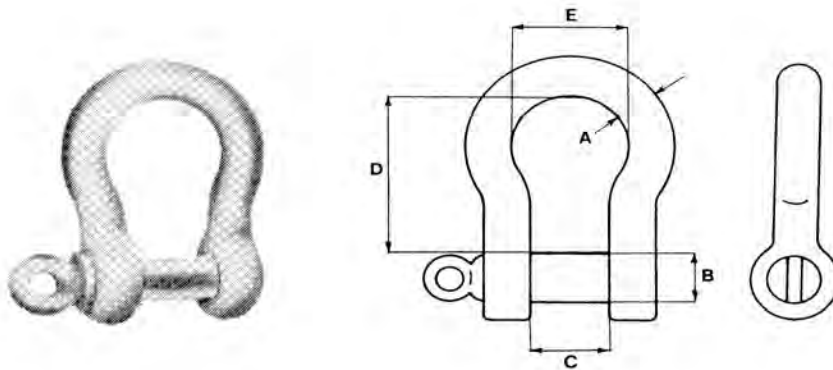
Screw collar pin

D Type

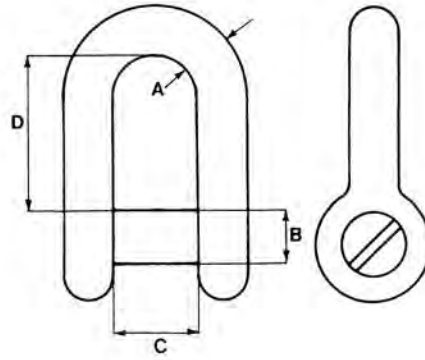
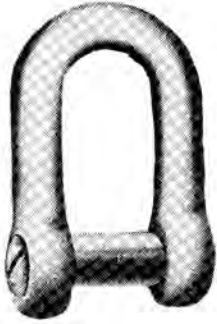


Vare nr. Part no. Parte no.	Str. Size Tamaño	SWL 5:1 Ton	A mm	B mm	C mm	D mm	Vægt Weight Peso kg/100	Sække à Sacks of Sacos de
F 05 DGE	3/16"	0,08	5	5	10	20	1,8	1000
F 06 DGE	1/4"	0,10	6	6	12	24	3,4	1000
F 08 DGE	5/16"	0,20	8	8	16	32	7,0	500
F 10 DGE	3/8"	0,30	10	10	20	40	13,5	300
F 11 DGE	7/16"	0,40	11	11	22	44	17,5	200
F 12 DGE	1/2"	0,50	12	12	25	48	25,0	150
F 16 DGE	5/8"	0,80	16	16	32	60	55,0	70
F 19 DGE	3/4"	1,10	19	19	38	74	92,0	40
F 22 DGE	7/8"	1,50	22	22	44	85	138,0	30
F 25 DGE	1"	2,00	25	25	51	97	225,0	20

Bow Type



Vare nr. Part no. Parte no.	Str. Size Tamaño	SWL 5:1 Ton	A mm	B mm	C mm	D mm	E mm	Vægt Weight Peso kg/100	Sække à Sacks of Sacos de
F 05 HGE	3/16"	0,08	5	5	10	21	15	1,8	1000
F 06 HGE	1/4"	0,10	6	6	12	25	18	3,4	1000
F 08 HGE	5/16"	0,20	8	8	16	33	24	7,0	500
F 10 HGE	3/8"	0,30	10	10	20	42	30	14,0	300
F 12 HGE	1/2"	0,50	12	12	25	52	39	26,0	150
F 16 HGE	5/8"	0,80	16	16	32	67	48	55,0	70
F 19 HGE	3/4"	1,10	19	19	38	80	57	110,0	40
F 22 HGE	7/8"	1,50	22	22	44	92	66	150,0	30
F 25 HGE	1"	2,00	25	25	51	107	75	225,0	20

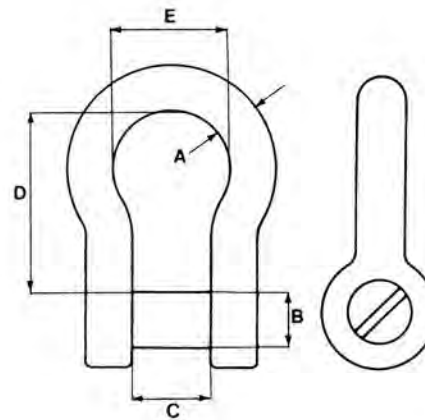
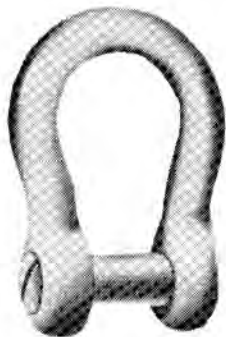


### Shackles, countersunk pin

Galvanised

D Type

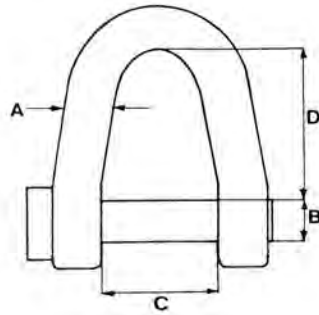
Vare nr. Part no. Parte no.	Str. Size Tamaño	SWL 5:1	A	B	C	D	Vægt Weight Peso	Sække à Sacks of Sacos de
		Ton	mm	mm	mm	mm	kg/100	
F 10 DGC	3/8"	0,30	10	10	20	40	13,5	300
F 12 DGC	1/2"	0,50	12	12	25	48	25,0	150
F 16 DGC	5/8"	0,80	16	16	32	60	55,0	70
F 19 DGC	3/4"	1,10	19	19	38	74	92,0	40
F 22 DGC	7/8"	1,50	22	22	44	85	138,0	30
F 25 DGC	1"	2,00	25	25	51	97	225,0	20



### Bow Type

Galvanised

Vare nr. Part no. Parte no.	Str. Size Tamaño	SWL 5:1	A	B	C	D	E	Vægt Weight Peso	Sække à Sacks of Sacos de
		Ton	mm	mm	mm	mm	mm	kg/100	
F 10 HGC	3/8"	0,30	10	10	20	42	30	14,0	300
F 12 HGC	1/2"	0,50	12	12	25	52	39	26,0	150
F 16 HGC	5/8"	0,80	16	16	32	67	48	55,0	70
F 19 HGC	3/4"	1,10	19	19	38	80	57	110,0	40
F 22 HGC	7/8"	1,50	22	22	44	92	66	150,0	30
F 25 HGC	1"	2,00	25	25	51	107	75	225,0	20

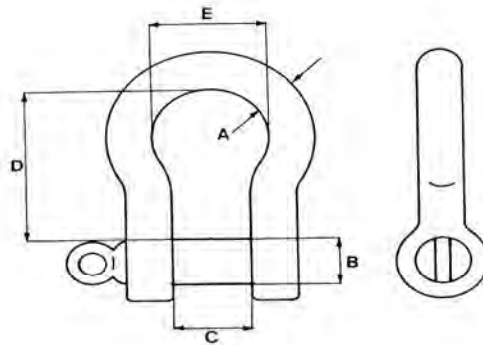
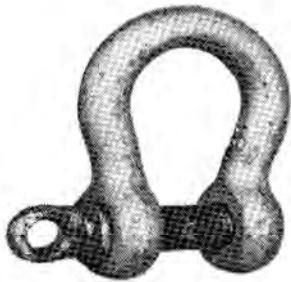


### Steel Shackles

Blue

V Type

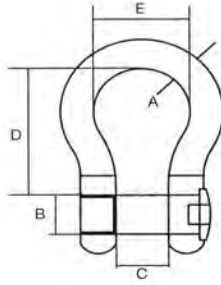
Vare nr. Part no. Parte no.	Str. Size Tamaño	SWL 5:1	A	B	C	D	Vægt Weight Peso	Sække á Sacks of Sacos de
		Ton	mm	mm	mm	mm	kg/100	
F 32 VB	1 1/4"	9,0	32	32	76	110	380,0	10



### Green Pin Shackles

Screw Collar Pin

Vare nr. Part no. Parte no.	Str. Size Tamaño	SWL 6:1	A	B	C	D	E	Vægt Weight Peso	Sække á Sacks of Sacos de
		Ton	mm	mm	mm	mm	mm	kg/100	
F06HGPE	1/4"	0,50	6	8	12	28	20	6,0	25
F08HGPE	5/16"	0,75	8	10	13	31	21	11,0	25
F10HGPE	3/8"	1,00	10	11	16	36	26	15,0	25
F11HGPE	7/16"	1,50	11	13	18	43	29	21,0	25
F12HGPE	1/2"	2,00	13	16	22	51	32	37,0	25
F16HGPE	5/8"	3,25	16	19	26	64	43	65,0	20
F19HGPE	3/4"	4,75	19	22	31	76	51	106,0	10
F22HGPE	7/8"	6,50	22	25	36	83	58	156,0	5
F25HGPE	1"	8,50	25	28	43	95	68	232,0	5
F28HGPE	1 1/8"	9,50	28	32	47	108	75	328,0	4
F32HGPE	1 1/4"	12,00	32	35	51	115	83	451,0	3
F35HGPE	1 3/8"	13,50	35	38	57	133	92	593,0	1
F38HGPE	1 1/2"	17,00	38	42	60	146	99	789,0	1
F45HGPE	1 3/4"	25,00	45	50	74	178	126	1340,0	1
F50HGPE	2"	35,00	50	57	83	197	146	1885,0	1
F57HGPE	2 1/4"	42,50	57	65	95	222	160	2606,0	1
F65HGPE	2 1/2"	55,00	65	70	105	254	185	3786,0	1
F75HGPE	3"	85,00	75	80	127	330	190	5868,0	1

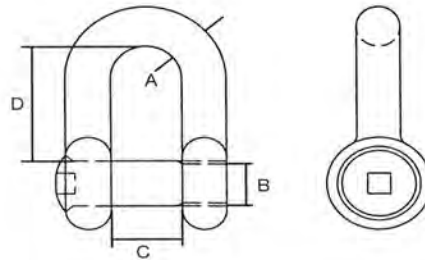


### Green Pin Shackles

Square sunken hole

Bow Type

Vare nr. Part no. Parte no.	Str. Size Tamaño	SWL 6:1	A	B	C	D	E	Vægt Weight Peso	Sække á Sacks of Sacos de
		Ton	mm	mm	mm	mm	mm	kg/100	
F13 HGPH	1/2"	2,00	13	16	22	51	32	34,0	25
F16 HGPH	5/8"	3,25	16	19	26	64	43	61,0	20
F19 HGPH	3/4"	4,75	19	22	31	76	51	98,0	10
F22 HGPH	7/8"	6,50	22	25	36	83	58	146,0	5
F25 HGPH	1"	8,50	25	28	43	95	68	218,0	5
F28 HGPH	1 1/8"	9,50	28	32	47	108	75	309,0	4
F32 HGPH	1 1/4"	12,00	32	35	51	115	83	424,0	3
F35 HGPH	1 3/8"	13,50	35	38	57	133	92	559,0	1



### Green Pin Shackles

Square sunken hole

D Type

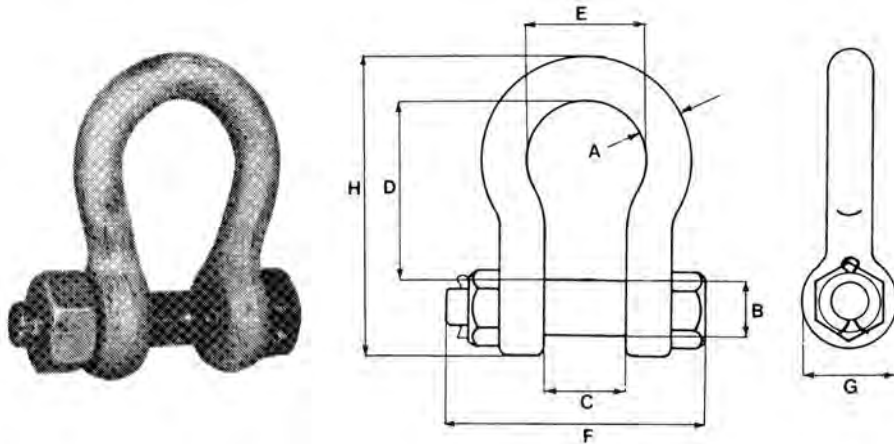
Vare nr. Part no. Parte no.	Str. Size Tamaño	SWL 6:1	A	B	C	D	Vægt Weight Peso	Sække á Sacks of Sacos de
		Ton	mm	mm	mm	mm	kg/100	
F13 DGPH	1/2"	2,00	13	16	22	51	32,0	25
F16 DGPH	5/8"	3,25	16	19	26	64	55,0	20
F19 DGPH	3/4"	4,75	19	22	31	76	88,0	10
F22 DGPH	7/8"	6,50	22	25	36	83	137,0	5
F25 DGPH	1"	8,50	25	28	43	95	205,0	5
F28 DGPH	1 1/8"	9,50	28	32	47	108	284,0	4
F32 DGPH	1 1/4"	12,00	32	35	51	115	386,0	3
F35 DGPH	1 3/8"	13,50	35	38	57	133	517,0	1



Vare nr. Part no. Parte no.	Beskrivelse Description Descripción	For sjækkel For shackle Para grillete
F13 KEY	◆ nøgle for bolt str. / key for pin size / llave para tamaño	mm
F22 KEY	◆ nøgle for bolt str. / key for pin size / llave para tamaño	F13/F16/F19
F28 KEY	◆ nøgle for bolt str. / key for pin size / llave para tamaño	F22/F25
		F28/F32/F35

## Green Pin Shackel

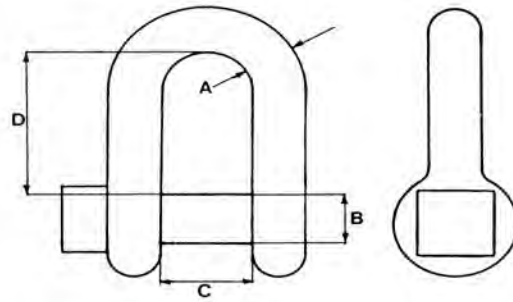
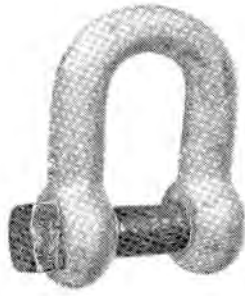
Safety Type



Vare nr. Part no. Parte no.	Str. Size Tamaño	SWL 6:1	A	B	C	D	E	F	G	H	Vægt Weight Peso	Sække á Sacks of Sacos de
		Ton	mm	mm	mm	mm	mm	mm	mm	mm	kg/100	
F06HGPS	1/4"	0,50	6	8	12	28	20	41	16	44	5,5	25
F08HGPS	5/16"	0,75	8	10	13	31	21	50	20	52	10,0	25
F10HGPS	3/8"	1,00	10	11	16	36	26	57	22	60	17,0	25
F11HGPS	7/16"	1,50	11	13	18	43	29	67	25	70	24,0	25
F12HGPS	1/2"	2,00	13	16	22	51	32	80	32	84	34,0	25
F16HGPS	5/8"	3,25	16	19	26	64	43	95	38	104	63,0	20
F19HGPS	3/4"	4,75	19	22	31	76	51	112	44	123	95,0	10
F22HGPS	7/8"	6,50	22	25	36	83	58	127	50	136	155,0	5
F25HGPS	1"	8,50	25	28	43	95	68	147	56	153	230,0	5
F28HGPS	1 1/8"	9,50	28	32	47	108	75	165	64	176	324,0	4
F32HGPS	1 1/4"	12,00	32	35	51	115	83	178	70	190	440,0	3
F35HGPS	1 3/8"	13,50	35	38	57	133	92	194	76	216	600,0	1
F38HGPS	1 1/2"	17,00	38	42	60	146	99	202	84	236	750,0	1
F45HGPS	1 3/4"	25,00	45	50	74	178	126	243	100	286	1400,0	1
F50HGPS	2"	35,00	50	57	83	197	146	269	115	320	1892,0	1
F57HGPS	2 1/4"	42,50	57	65	95	222	160	303	130	350	2606,0	1
F65HGPS	2 1/2"	55,00	65	70	105	254	185	329	140	407	4200,0	1
F75HGPS	3"	85,00	75	80	127	330	190	373	180	505	6900,0	1
F89HGPS	3 1/2"	120,0	89	95	146	381	238	495	200	590	12000,0	1

Vare nr. Part no. Parte no.	Str. Size Tamaño	SWL 5:1	A	B	C	D	E	F	G	H	Vægt Weight Peso
		Ton	mm	mm	mm	mm	mm	mm	mm	mm	kg/100
F38HGPSUPER	1 1/2"	30	38	42	60	146	99	202	84	236	750
F45HGPSUPER	1 3/4"	40	45	50	74	178	126	243	100	286	1400
F57HGPSUPER	2 1/4"	55	57	57	83	197	138	269	133	365	2200



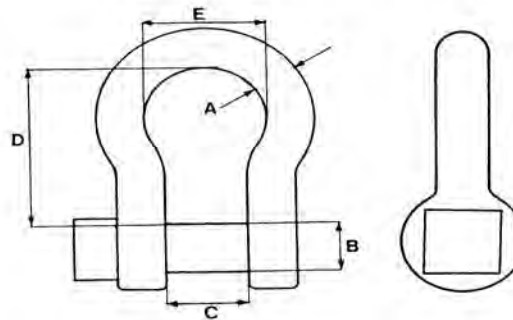


## Green Pin Shackles

Square head pin

D Type

Vare nr. Part no. Parte no.	SWL 6:1	A	B	C	D	Vægt Weight Peso	Sækken á Sacks of Sacos de
	Ton	mm	mm	mm	mm	kg/100	
F12 DGPSQ	2,00	13	16	22	43	34,0	25
F16 DGPSQ	3,25	16	19	26	51	63,0	20
F19 DGPSQ	4,75	19	22	31	59	95,0	10
F22 DGPSQ	6,50	22	25	36	73	155,0	5
F25 DGPSQ	8,50	25	28	43	85	230,0	5
F28 DGPSQ	9,50	28	32	47	90	324,0	4
F32 DGPSQ	12,00	32	35	51	94	440,0	3
F35 DGPSQ	13,50	32	38	57	115	600,0	1
F38 DGPSQ	17,00	38	42	60	127	750,0	1
F45 DGPSQ	25,00	45	50	74	149	1400,0	1



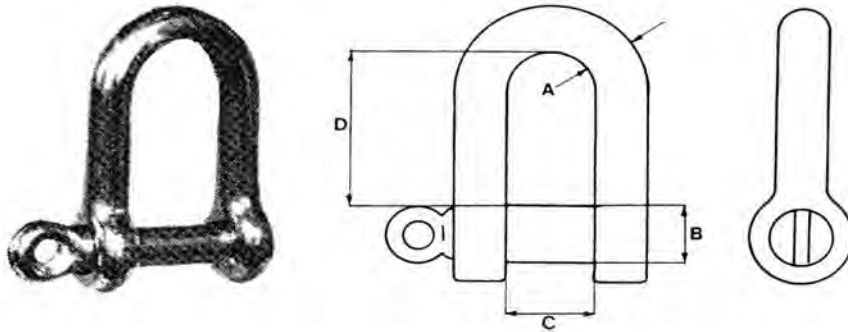
Bow Type

Vare nr. Part no. Parte no.	SWL 6:1	A	B	C	D	E	Vægt Weight Peso	Sække á Sacks of Sacos de
	Ton	mm	mm	mm	mm	mm	kg/100	
F12 HGPSQ	2,00	13	16	22	51	32	34,0	25
F16 HGPSQ	3,25	16	19	26	64	43	63,0	20
F19 HGPSQ	4,75	19	22	31	76	51	95,0	10
F22 HGPSQ	6,50	22	25	36	83	58	155,0	5
F25 HGPSQ	8,50	25	28	43	95	68	230,0	5
F28 HGPSQ	9,50	28	32	47	108	75	324,0	4
F32 HGPSQ	12,00	32	35	51	115	83	440,0	3
F35 HGPSQ	13,50	32	38	57	133	92	600,0	1
F38 HGPSQ	17,00	38	42	60	146	99	750,0	1
F45 HGPSQ	25,00	45	50	74	178	126	1400,0	1

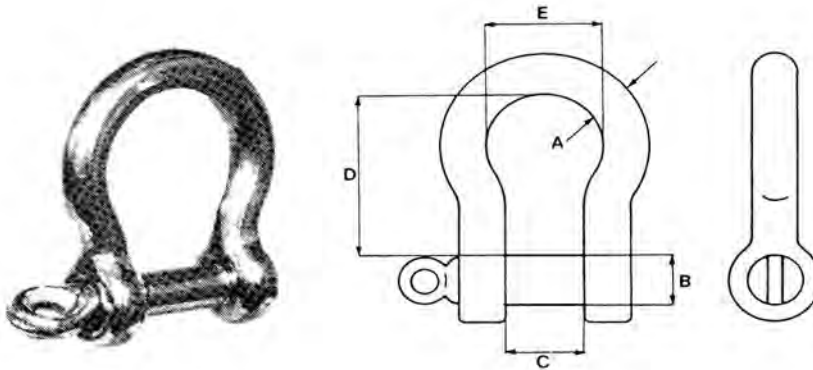
## Shackles

Stainless Steel

D Type

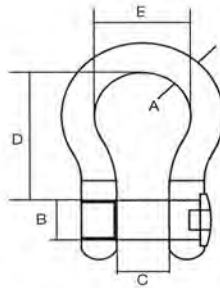


Vare nr. Part no. Parte no.	SWL 5:1 Ton	A mm	B mm	C mm	D mm	Vægt Weight Peso kg/100
F04DSS	0.12	4,0	4	8	14	1,0
F05DSS	0.20	5,0	5	10	18	2,0
F06DSS	0.28	6,0	6	12	21	4,0
F08DSS	0.50	8,0	8	16	28	7,0
F10DSS	0.80	9,5	10	20	35	11,0
F12DSS	1.10	12,0	12	24	42	25,0
F16DSS	2.00	16,0	16	32	58	40,0
F19DSS	3.00	20,0	20	38	66	60,0
F22DSS	4.00	22,0	22	44	77	90,0
F25DSS	5.00	25,0	25	50	88	110,0
F32DSS	6.40	32,0	32	64	112	240,0



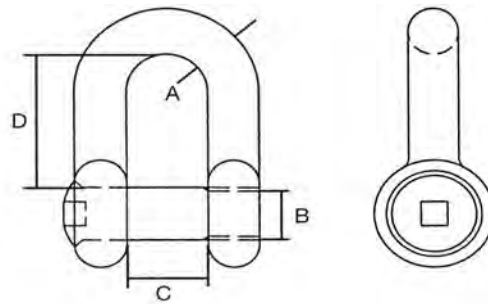
Bow Type

Vare nr. Part no. Parte no.	SWL 5:1 Ton	A mm	B mm	C mm	D mm	E mm	Vægt Weight Peso kg/100
F04HSS	0.12	4,0	4	8	16	14	1,0
F05HSS	0.20	5,0	5	10	20	17	2,0
F06HSS	0.28	6,0	6	12	24	21	4,0
F08HSS	0.50	8,0	8	16	32	28	7,0
F10HSS	0.80	9,5	10	20	40	34	7,0
F12HSS	1.10	12,0	12	24	48	42	25,0
F16HSS	2.00	16,0	16	32	58	56	40,0
F19HSS	3.00	20,0	20	38	66	65	60,0
F22HSS	4.00	22,0	22	44	77	77	90,0
F25HSS	5.00	25,0	25	50	88	87	110,0
F32HSS	6.40	32,0	32	64	112	112	240,0



**Blue Pin Shackles**  
 Square sunken hole  
 Bow Type

Vare nr. Part no. Parte no.	Str. Size Tamaño	SWL 6:1	A	B	C	D	E	Vægt Weight Peso	Sække á Sacks of Sacos de
		Ton	mm	mm	mm	mm	mm	kg/100	
F13 HBPH	1/2"	2,00	13	16	22	51	32	34,0	25
F16 HBPH	5/8"	3,25	16	19	26	64	43	61,0	20
F19 HBPH	3/4"	4,75	19	22	31	76	51	98,0	10
F22 HBPH	7/8"	6,50	22	25	36	83	58	146,0	5
F25 HBPH	1"	8,50	25	28	43	95	68	218,0	5
F28 HBPH	1 1/8"	9,50	28	32	47	108	75	309,0	4
F32 HBPH	1 1/4"	12,00	32	35	51	115	83	424,0	3
F35 HBPH	1 3/8"	13,50	35	38	57	133	92	559,0	1



**D Type**

Vare nr. Part no. Parte no.	Str. Size Tamaño	SWL 6:1	A	B	C	D	Vægt Weight Peso	Sække á Sacks of Sacos de
		Ton	mm	mm	mm	mm	kg/100	
F13 DBPH	1/2"	2,00	13	16	22	51	32,0	25
F16 DBPH	5/8"	3,25	16	19	26	64	55,0	20
F19 DBPH	3/4"	4,75	19	22	31	76	88,0	10
F22 DBPH	7/8"	6,50	22	25	36	83	137,0	5
F25 DBPH	1"	8,50	25	28	43	95	205,0	5
F28 DBPH	1 1/8"	9,50	28	32	47	108	284,0	4
F32 DBPH	1 1/4"	12,00	32	35	51	115	386,0	3
F35 DBPH	1 3/8"	13,50	35	38	57	133	517,0	1



Vare nr. Part no. Parte no.	Beskrivelse Description Descripción	For sjækkel For shackle Para grillete
F13 KEY	◆ nøgle for bolt str. / key for pin size / llave para tamaño	F13/F16/F19
F22 KEY	◆ nøgle for bolt str. / key for pin size / llave para tamaño	F22/F25
F28 KEY	◆ nøgle for bolt str. / key for pin size / llave para tamaño	F28/F32/F35